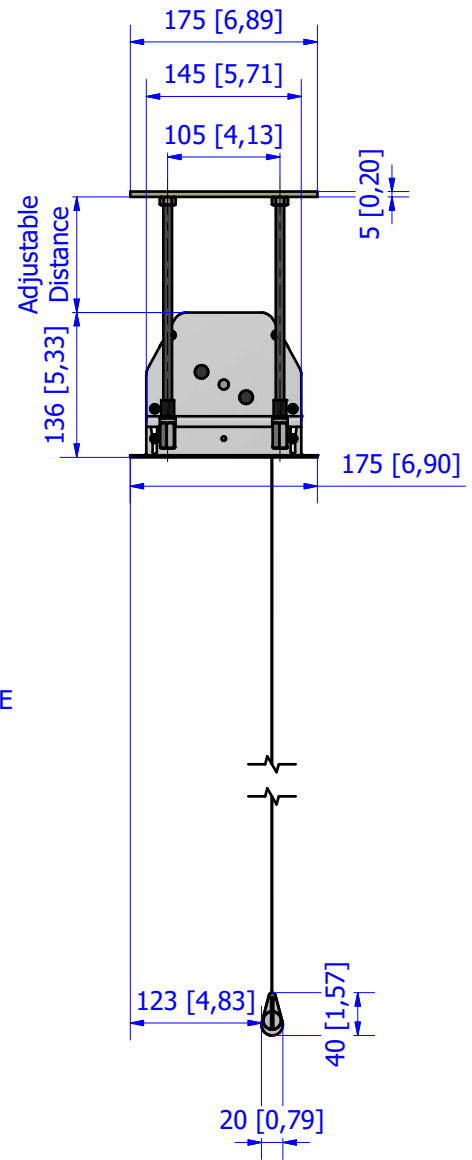


VIEWING SIDE



Cut out for false ceiling: 4165 x 155 mm

Dimensions are in mm [inch]				Description: Inceiling		Codice univoco: Standard		Product Code: IC390BXX			
According on the required fabric, a welding line may be present				Weight: 35kg	Shipping weight: 44kg	Encumbrance: 419x18x14		Drawer: F.A.		VCode: UT-0009894.iam	
Please notice that all dimensions are subject to conventional industry tollerances						Shipping dimensions: 435x23x23		Date: 18/02/2021		Sheet: A3	Scale: 1 : 25